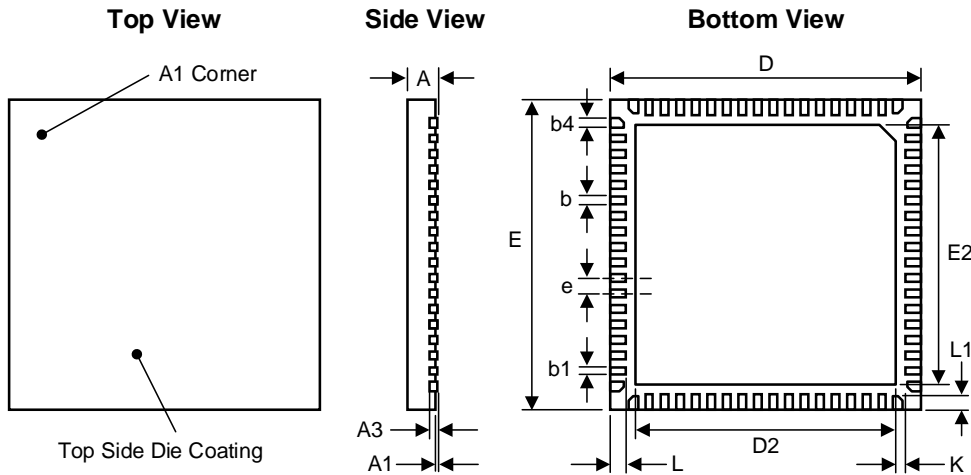


WQFN88-72

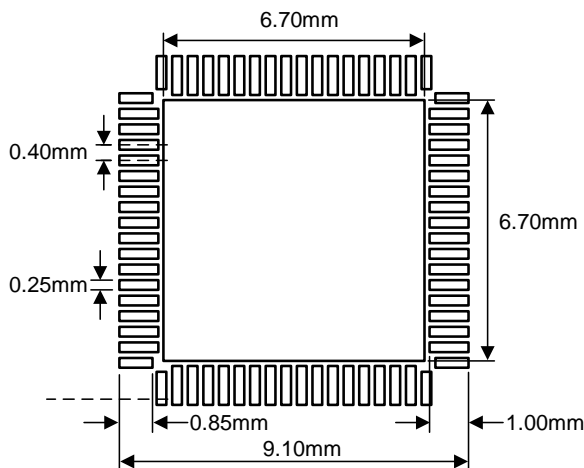
Package Code: UAO

QFN88-72 (8.00mm x 8.00mm x 0.75mm)



Dimension	mm		
	Min.	Typ.	Max.
A	0.70	0.75	0.80
A1	0.00	0.02	0.05
A3	0.203 REF		
b1	0.13	0.18	0.23
b2	0.15	0.20	0.25
B4	0.20	0.25	0.30
D	7.90	8.00	8.10
D2	6.65	6.70	6.75
E	7.90	8.00	8.10
E2	6.65	6.70	6.75
e	0.40 BSC		
K	0.20	-	-
L	0.35	0.40	0.45
L1	0.30	0.35	0.40

Recommended Footprint



Kinetic Technologies cannot assume responsibility for use of any circuitry other than circuitry entirely embodied in a Kinetic Technologies product. No intellectual property or circuit patent licenses are implied. Kinetic Technologies reserves the right to change the circuitry and specifications without notice at any time.