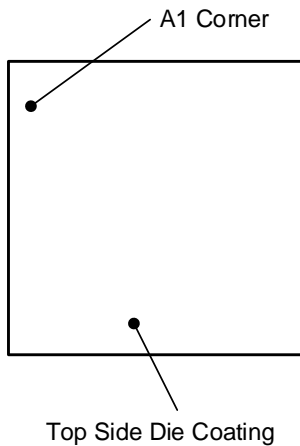


## WLCSP44-16

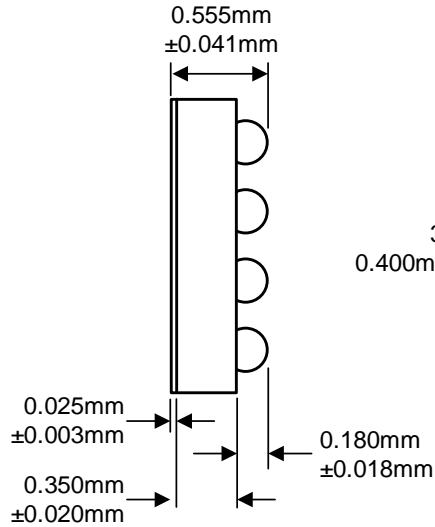
**Package Code: GAD**

WLCSP44-16 (1.694mm x 1.694mm x 0.555mm)

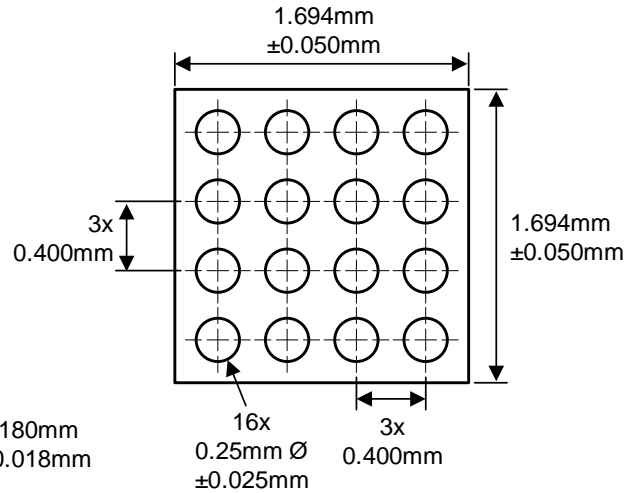
**Top View**



**Side View**

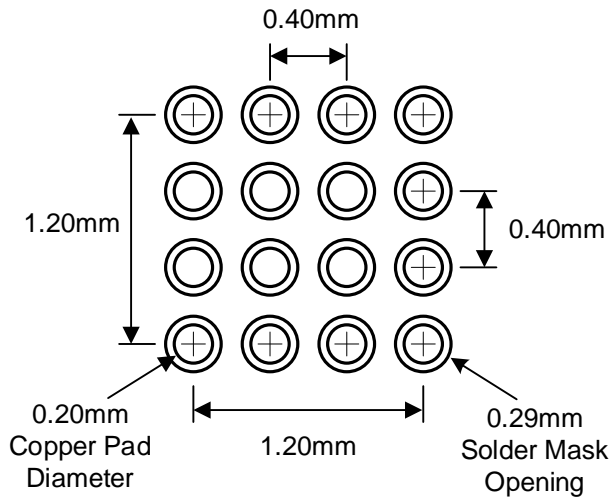


**Bottom View**



### Recommended Footprint

**(NSMD Pad Type)**



Kinetic Technologies cannot assume responsibility for use of any circuitry other than circuitry entirely embodied in a Kinetic Technologies product. No intellectual property or circuit patent licenses are implied. Kinetic Technologies reserves the right to change the circuitry and specifications without notice at any time.