
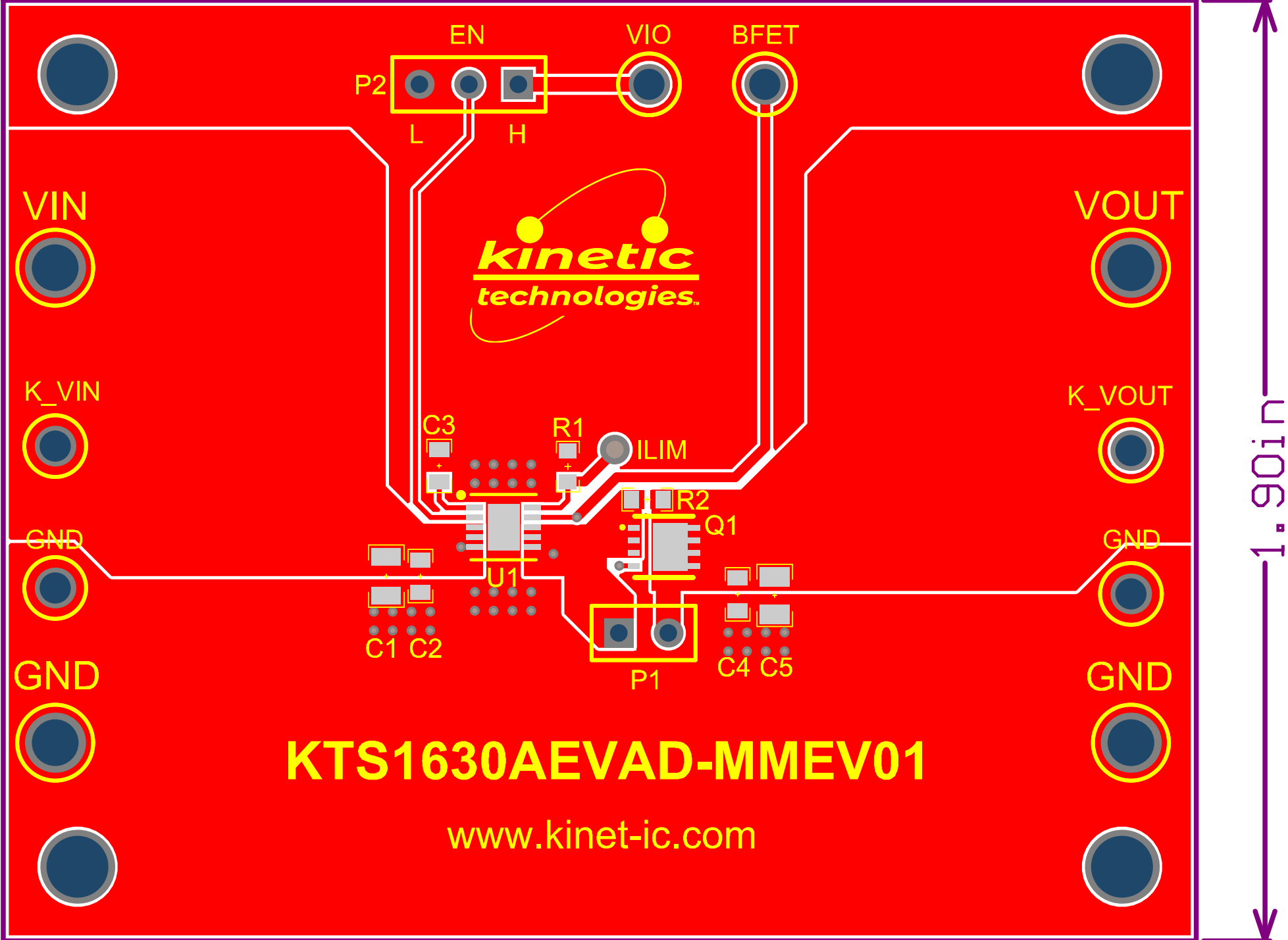
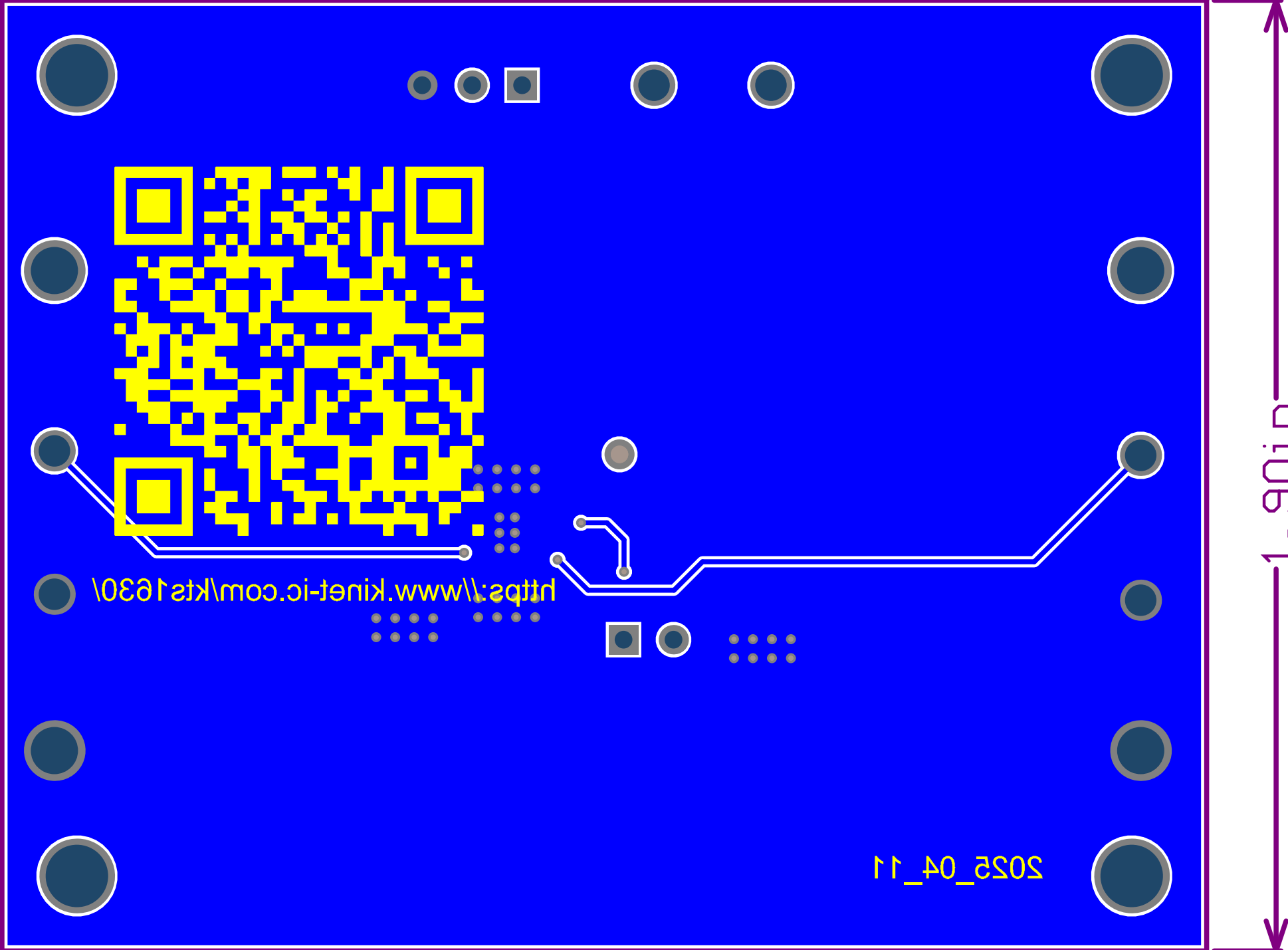


Title KTS1630AEVAD_MMEV01.PrjPcb			Kinetic Technologies 6399 San Ignacio Ave Suite 250 San Jose, CA 95119 (408) 746 9000	
Size: Ledger	Drawn By: EsEm	Revision: 1		
Date: 4/11/2025	Time: 3:08:30 PM	Sheet 1 of 1		
File: KTS1630AEVAD_MMEV01.SchDoc				





1.90in

2.41in