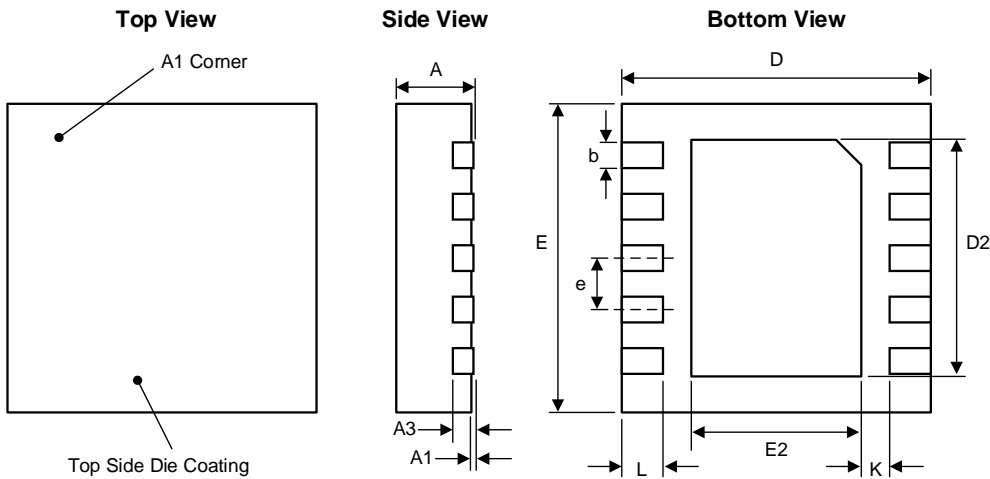


DFN33-10

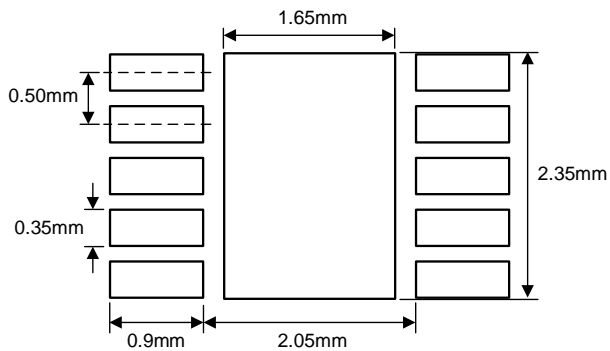
Package Code: VAC

UDFN33-10 (3.00mm x 3.00mm x 0.75mm)



Dimension	mm		
	Min.	Typ.	Max.
A	0.70	0.75	0.80
A1	0.00	0.02	0.05
A3	0.203 REF		
b	0.18	0.25	0.30
D	3.00 BSC		
D2	2.20	2.30	2.35
E	3.00 BSC		
E2	1.55	1.65	1.70
e	0.50 BSC		
K	0.20	-	-
L	0.30	0.40	0.50

Recommended Footprint



Kinetic Technologies cannot assume responsibility for use of any circuitry other than circuitry entirely embodied in a Kinetic Technologies product. No intellectual property or circuit patent licenses are implied. Kinetic Technologies reserves the right to change the circuitry and specifications without notice at any time.