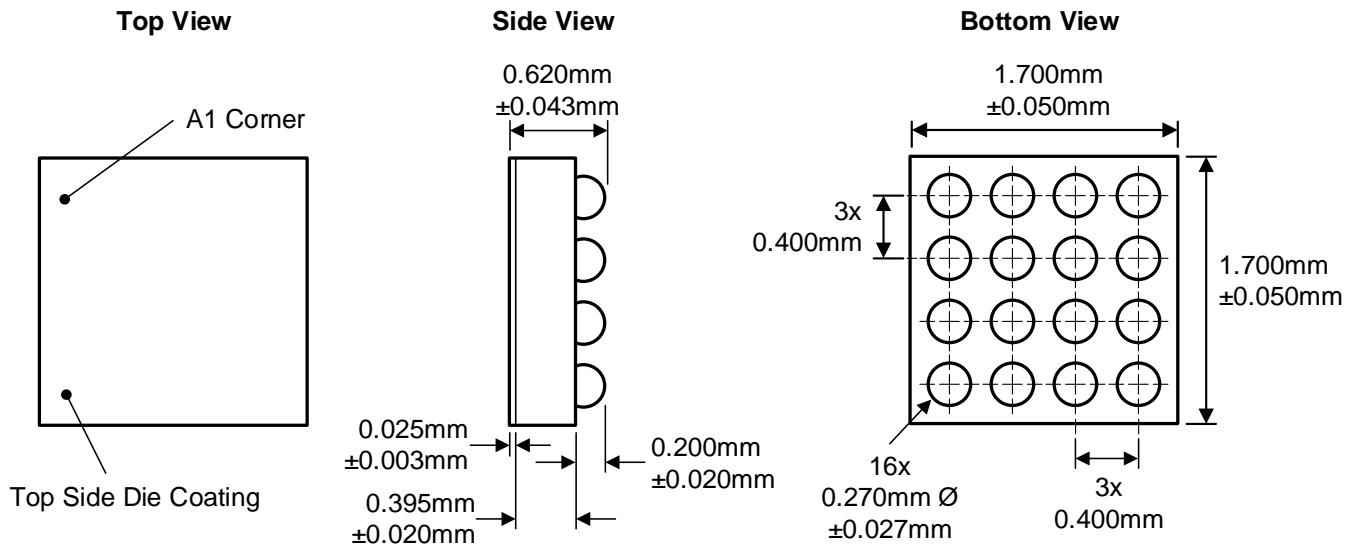


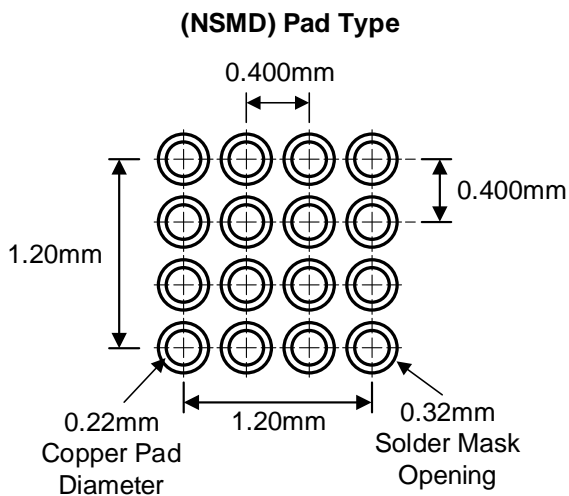
## WLCSP44-16

**Package Code: GAB**

WLCSP44-16 (1.700mm x 1.700mm x 0.620mm)



### Recommended Footprint



Kinetic Technologies cannot assume responsibility for use of any circuitry other than circuitry entirely embodied in a Kinetic Technologies product. No intellectual property or circuit patent licenses are implied. Kinetic Technologies reserves the right to change the circuitry and specifications without notice at any time.