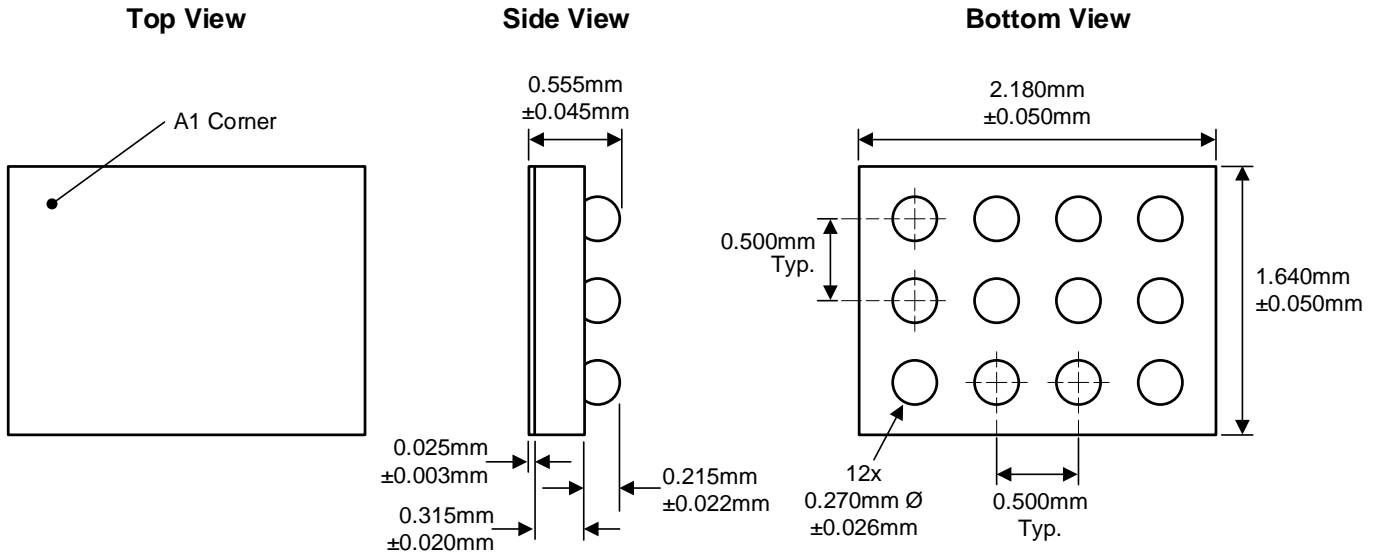


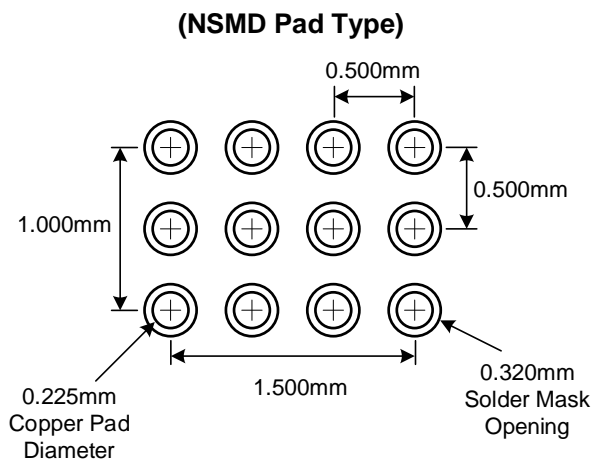
## WLCSP43-12

**Package Code: GAE**

**WLCSP43-12 (2.180mm x 1.640mm x 0.555mm)**



### Recommended Footprint



Kinetic Technologies cannot assume responsibility for use of any circuitry other than circuitry entirely embodied in a Kinetic Technologies product. No intellectual property or circuit patent licenses are implied. Kinetic Technologies reserves the right to change the circuitry and specifications without notice at any time.