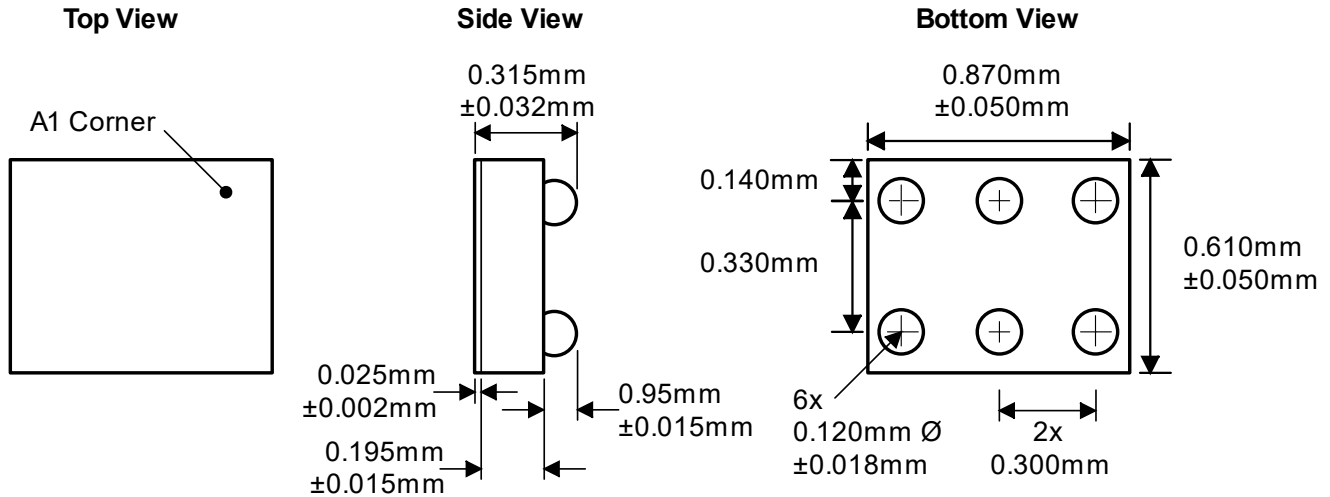


WLCSP32-6

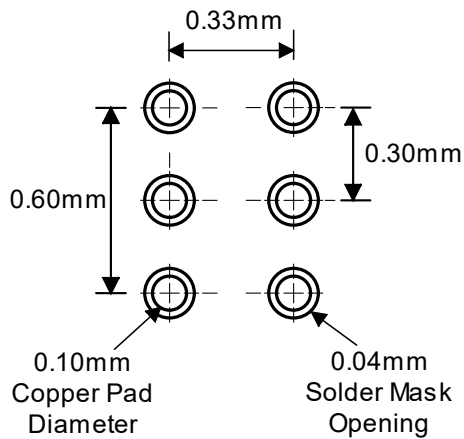
Package Code: CAD

WLCSP32-6 (0.870mm x 0.610mm x 0.315mm)



Recommended Footprint

(NSMD) Pad Type



Kinetic Technologies cannot assume responsibility for use of any circuitry other than circuitry entirely embodied in a Kinetic Technologies product. No intellectual property or circuit patent licenses are implied. Kinetic Technologies reserves the right to change the circuitry and specifications without notice at any time.