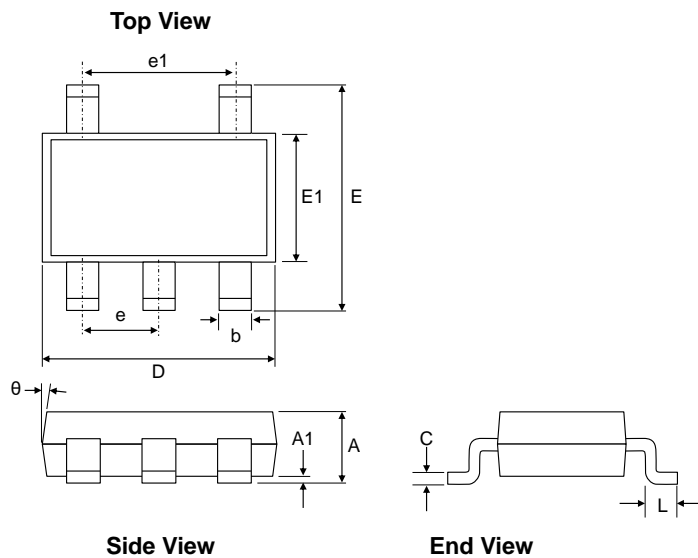


TSOT23-5

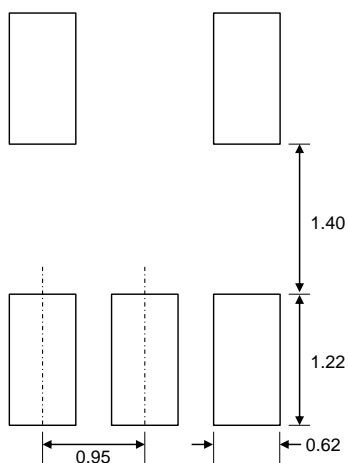
Package Code: HC

TSOT23-5 (2.90mm x 2.80mm x 0.80mm)



Dimension	mm		
	Min.	Typ.	Max.
A	0.70	0.80	0.90
A1	0.00	0.05	0.10
b	0.30	0.40	0.50
c	0.10	0.15	0.20
D	2.80	2.90	3.00
E	2.65	2.80	2.95
E1	1.50	1.60	1.70
e		0.95 BSC	
e1		1.9 BSC	
L	0.30		0.60
Θ	4°		8°

Recommended Footprint



* Dimensions are in millimeters.

Kinetic Technologies cannot assume responsibility for use of any circuitry other than circuitry entirely embodied in a Kinetic Technologies product. No intellectual property or circuit patent licenses are implied. Kinetic Technologies reserves the right to change the circuitry and specifications without notice at any time.