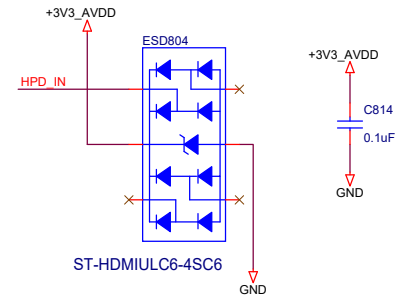
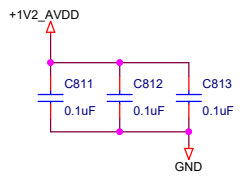
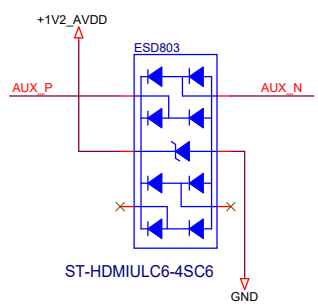
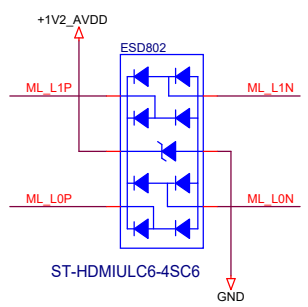
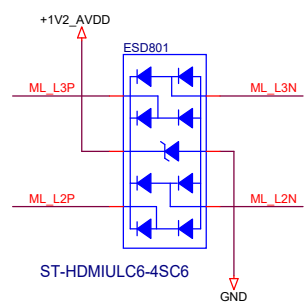


DPTX

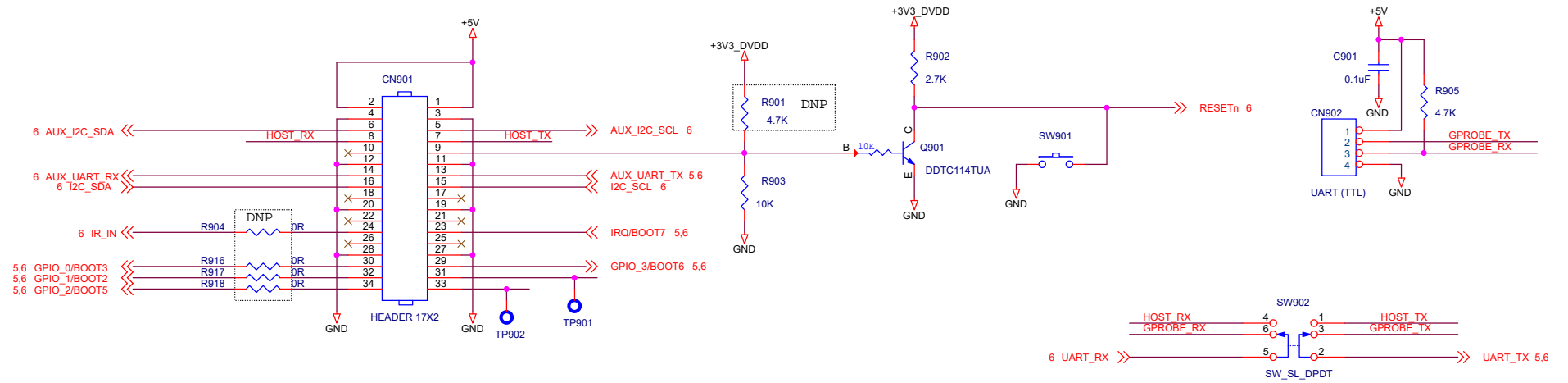
Populate with 0 ohms resistors if necessary



ESD Protection Diodes

Title 08. DPTx & Audio Inputs		
Size B	Document Number B0551-SCH-01	Rev 03A
Date: Friday, March 13, 2020	Sheet 8	of 9

Host Control Interface



Digital Audio Inputs

