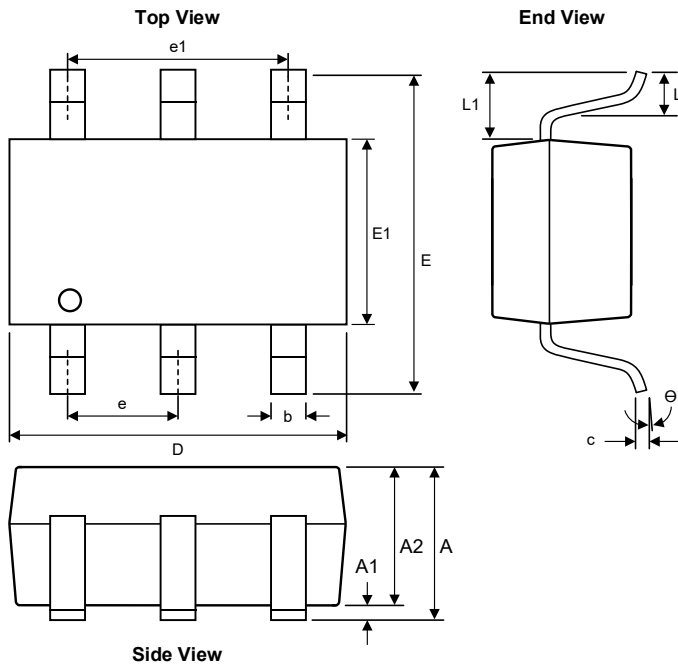


SOT23-6

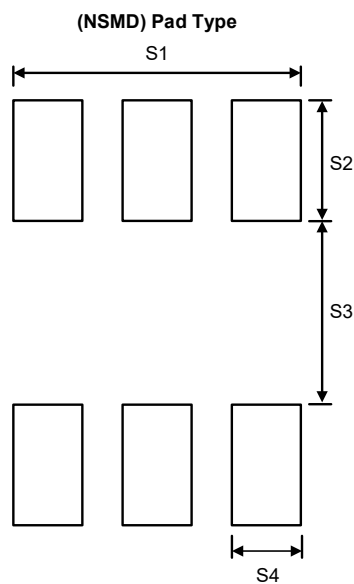
Package Code: XAA

SOT23-6 (2.90mm x 1.60mm x 1.30mm)



Dimension	mm		
	Min.	Typ.	Max.
A	1.20	1.30	1.45
A1	0.05	–	0.15
A2	0.90	1.15	1.30
b	0.30	–	0.50
c	0.08	–	0.22
D	2.825	2.90	2.975
E	2.70	2.80	2.90
E1	1.525	1.60	1.675
e	0.95 BSC		
e_1	1.90 BSC		
L	0.3	0.45	0.6
L_1	0.60 BSC		
θ°	0	4	8
S1	2.50 BSC		
S2	1.05 BSC		
S3	1.60 BSC		
S4	0.60 MSC		

Recommended Footprint



Kinetic Technologies cannot assume responsibility for use of any circuitry other than circuitry entirely embodied in a Kinetic Technologies product. No intellectual property or circuit patent licenses are implied. Kinetic Technologies reserves the right to change the circuitry and specifications without notice at any time.