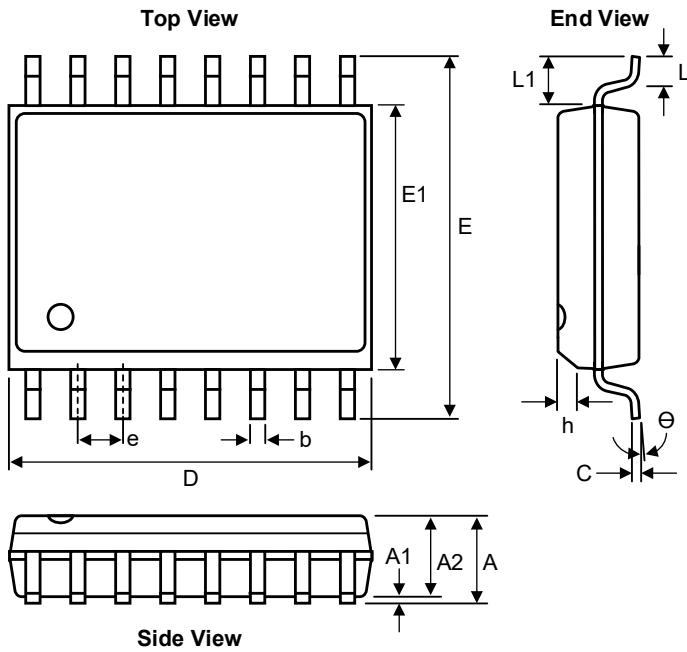


## SOP-16

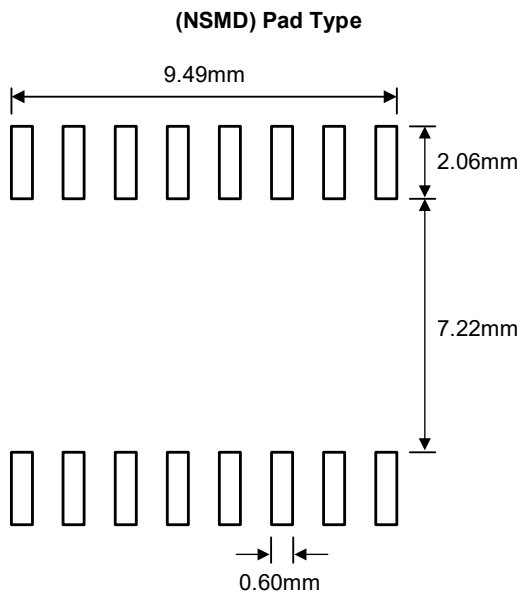
**Package Code: YAA**

SOP-16 (10.30mm x 7.50mm x 2.65mm)



Dimension	mm		
	Min.	Typ.	Max.
A	2.15	–	2.65
A1	0.10	–	0.30
A2	2.05	–	2.55
b	0.31	–	0.51
C	0.10	–	0.33
D	10.10	10.30	10.50
E	9.97	10.30	10.63
E1	7.40	7.50	7.60
e	1.27 BSC		
h	0.25	–	0.75
L	0.40	–	1.27
L1	1.4 BSC		
$\theta^\circ$	0	–	8

### Recommended Footprint



Kinetic Technologies cannot assume responsibility for use of any circuitry other than circuitry entirely embodied in a Kinetic Technologies product. No intellectual property or circuit patent licenses are implied. Kinetic Technologies reserves the right to change the circuitry and specifications without notice at any time.