

Three-Channel Flash LED Driver with Independent Current Control

Features

- High efficiency synchronous boost converter with 2MHz/4MHz switching frequency option
- I²C interface programming and hardware STROBE/TORCH control
- Two current sources and one current sink
 - ▶ LED1: Up to 1.5A (7 bits)
 - ▶ LED2: Up to 0.75A (6 bits)
 - ▶ LED3: Up to 0.3A (6 bits)
 - ▶ Flash/Torch/IR modes
 - ▶ Independent LED on/off and current settings
 - ▶ Programmable ramp shape and time control
 - ▶ Three input low voltage protection modes
 - ▶ Flash time-out protection
 - ▶ LED cathode ground connection for improved thermal dissipation (LED1/LED2)
- LED open/short protection
- I²C fault read back (I²C address = 0x63)

Applications

- Smartphones and Tablets Camera Flash
- Digital Cameras

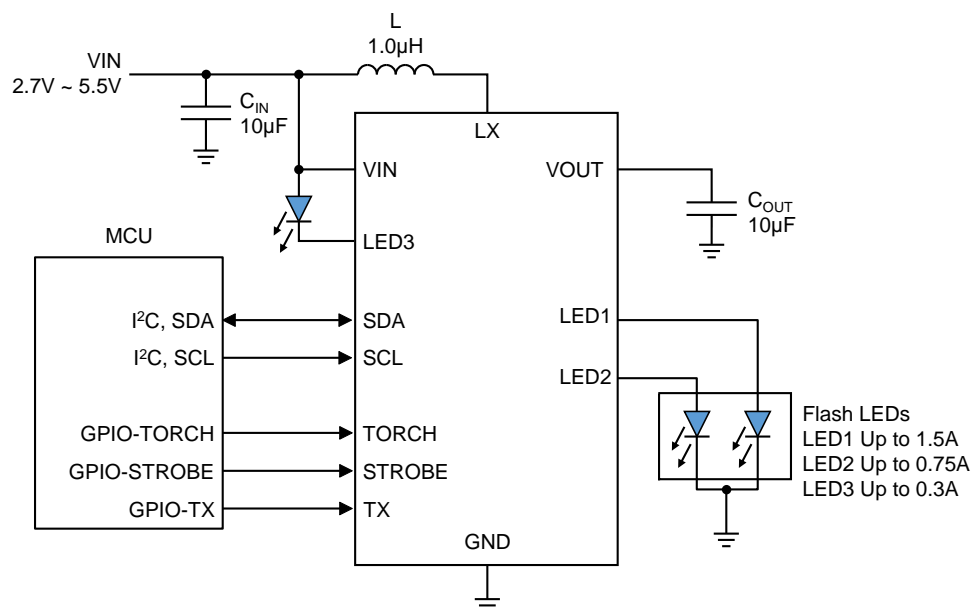
Brief Description

KTD2683B is the ideal power solution for high-power flash LEDs. It includes a highly integrated synchronous boost converter, two current sources and one current sink, providing a very small total solution in portable application. It has both I²C interface and hardware STROBE/TORCH pins for maximum control flexibility. The two integrated current sources and one current sink are independently controlled, their on/off conditions and current settings in Flash/Torch/IR modes can be programmed independently by the I²C interface. It also has three selectable input low voltage protection modes to prevent a system reset under low battery condition. Thermal regulation is also integrated to limit the IC temperature and continuously provide the maximum output current.

Various protection features are integrated into KTD2683B, including cycle-by-cycle input current limit protection, output over-voltage protection, LED fault (open or short) protection, flash timeout protection and thermal shutdown protection.

KTD2683B is available in a RoHS and Green 12-ball 1.42mm x 1.66mm WLCSP package with 0.4mm pitch.

Typical Application



Ordering Information

Part Number	Marking	Operating Temperature	Package
KTD2683BEUD-TR	IBXXYYZZZ ¹	-40°C to +85°C	WLCSP-12, 1.42mm x 1.66mm

1. XX = Date Code, YY = Assembly Code, ZZZZ = Serial Number.

Kinetic Technologies cannot assume responsibility for use of any circuitry other than circuitry entirely embodied in a Kinetic Technologies product. No intellectual property or circuit patent licenses are implied. Kinetic Technologies reserves the right to change the circuitry and specifications without notice at any time.