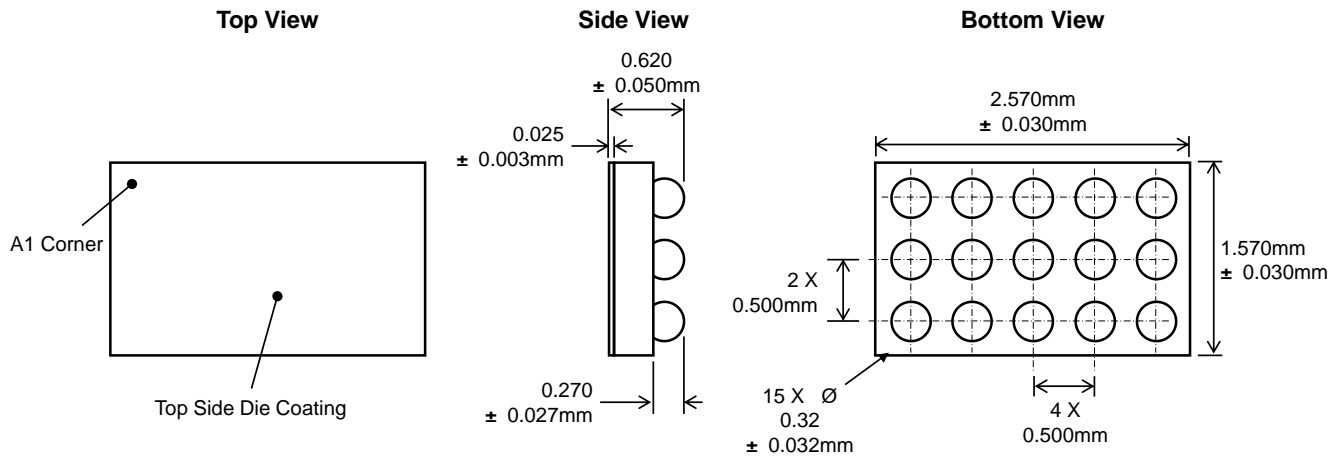


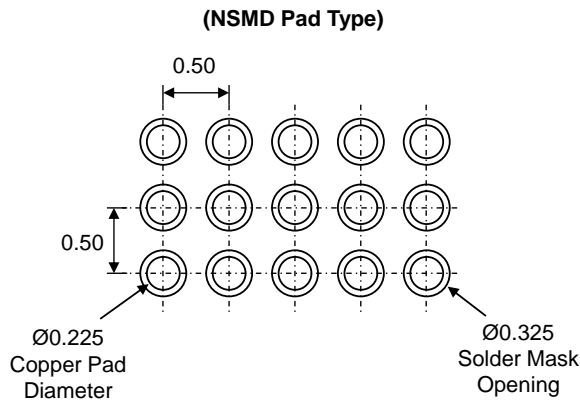
## WLCSP53-15

**Package Code: VH**

**WLCSP53-15 (2.570mm x 1.57mm x 0.620mm)**



### Recommended Footprint



\* Dimensions are in millimeters.

Kinetic Technologies cannot assume responsibility for use of any circuitry other than circuitry entirely embodied in a Kinetic Technologies product. No intellectual property or circuit patent licenses are implied. Kinetic Technologies reserves the right to change the circuitry and specifications without notice at any time.